



The Lamb Chining Machine safely removes the chine from rack saddles using Scott's 'Chine Rider' technology. This results in a top quality product with a high yield.

The Standalone Lamb Chining Machine safely removes the chine from rack saddles using Scott's 'Chine Rider' technology. This results in a top quality product with a high yield.

The Standalone Lamb Chine Machine uses the same technology as the chine station in Scott's Middle system, but without the need for the other automated infrastructure, making it suitable for smaller processors, or those who are not yet ready to make the leap to full automation.

BENEFITS:

- **INCREASED YIELD**

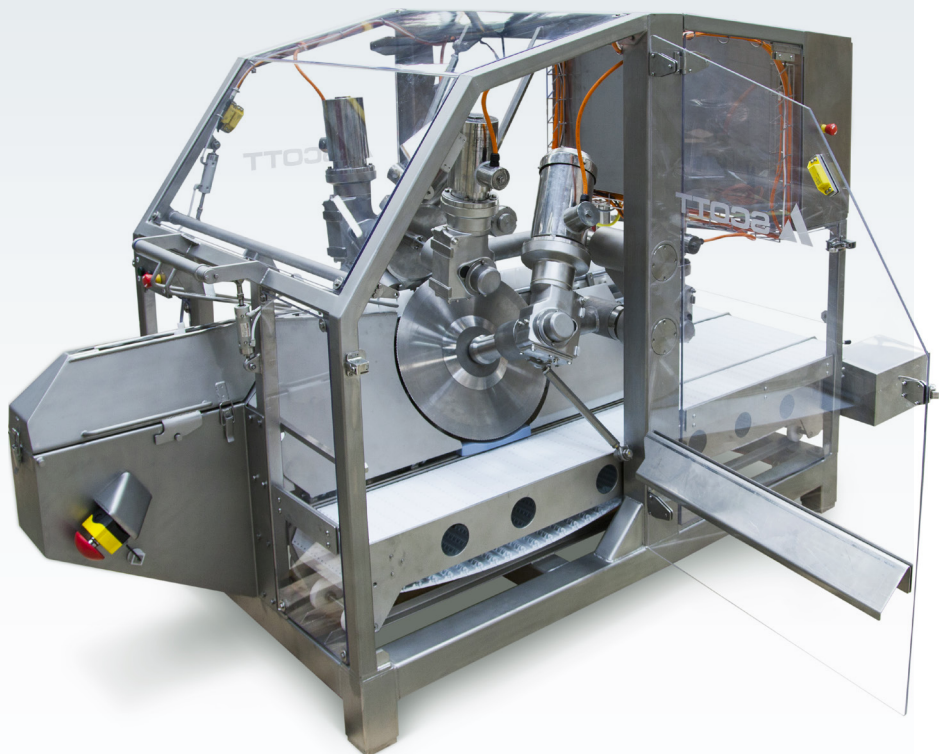
Scott's lamb chining machine has proven increase in yield per cut over manual chine removal and competitors' products.

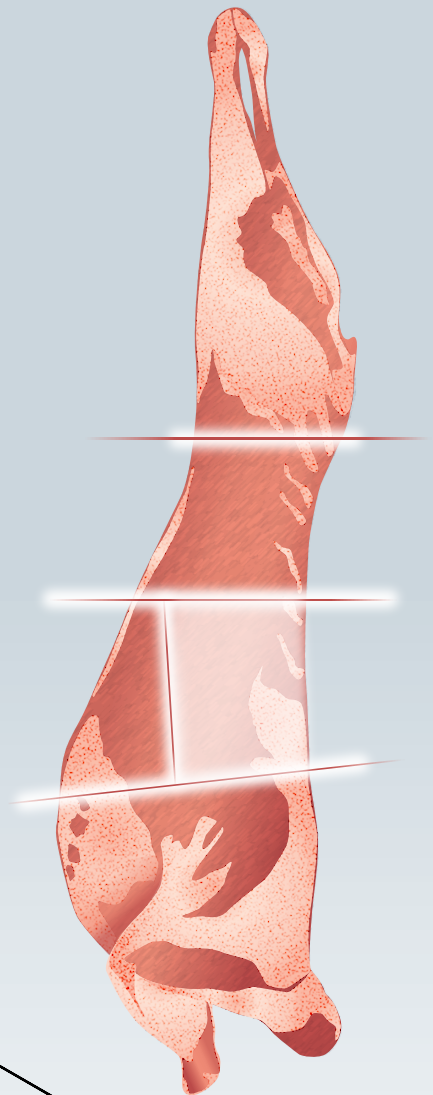
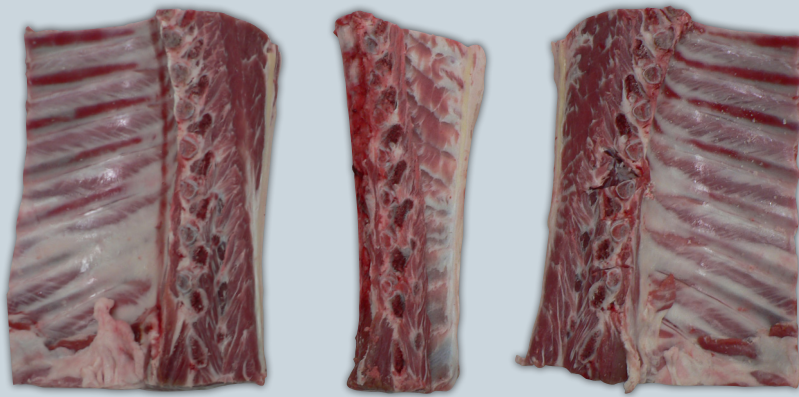
- **SAFE OPERATION**

By eliminating bandsaw hazards from the chine removal process, operator safety is greatly enhanced.

- **CONSISTENT THROUGHPUT**

Scott's Chining Machine runs continuously, resulting in a consistently high throughput while maintaining quality.





INTEGRATION

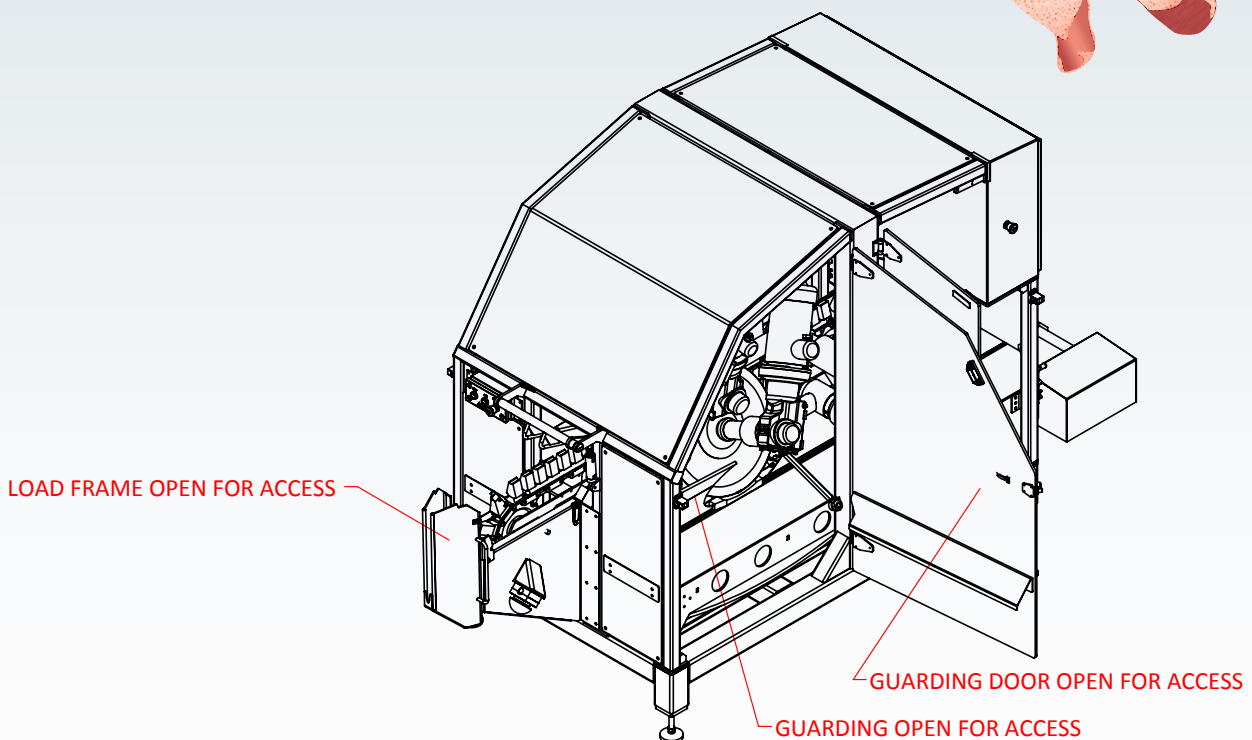
Scott's Chining Machine has automatic unloading, so it can be integrated directly into existing process lines.

CHINE RIDER

Scott's unique 'Chine Rider' movement adapts to the form of each product, optimising the cuts and maximising meat removal.

IMPROVED YIELD

Independent testing has shown that the Lamb Chine Machine consistently produces higher yield of up to 5 grams per carcass over manual bandsaws and other leading chine removal machines.



This machine was developed by Robotic Technologies Ltd with support from Meat & Livestock Australia